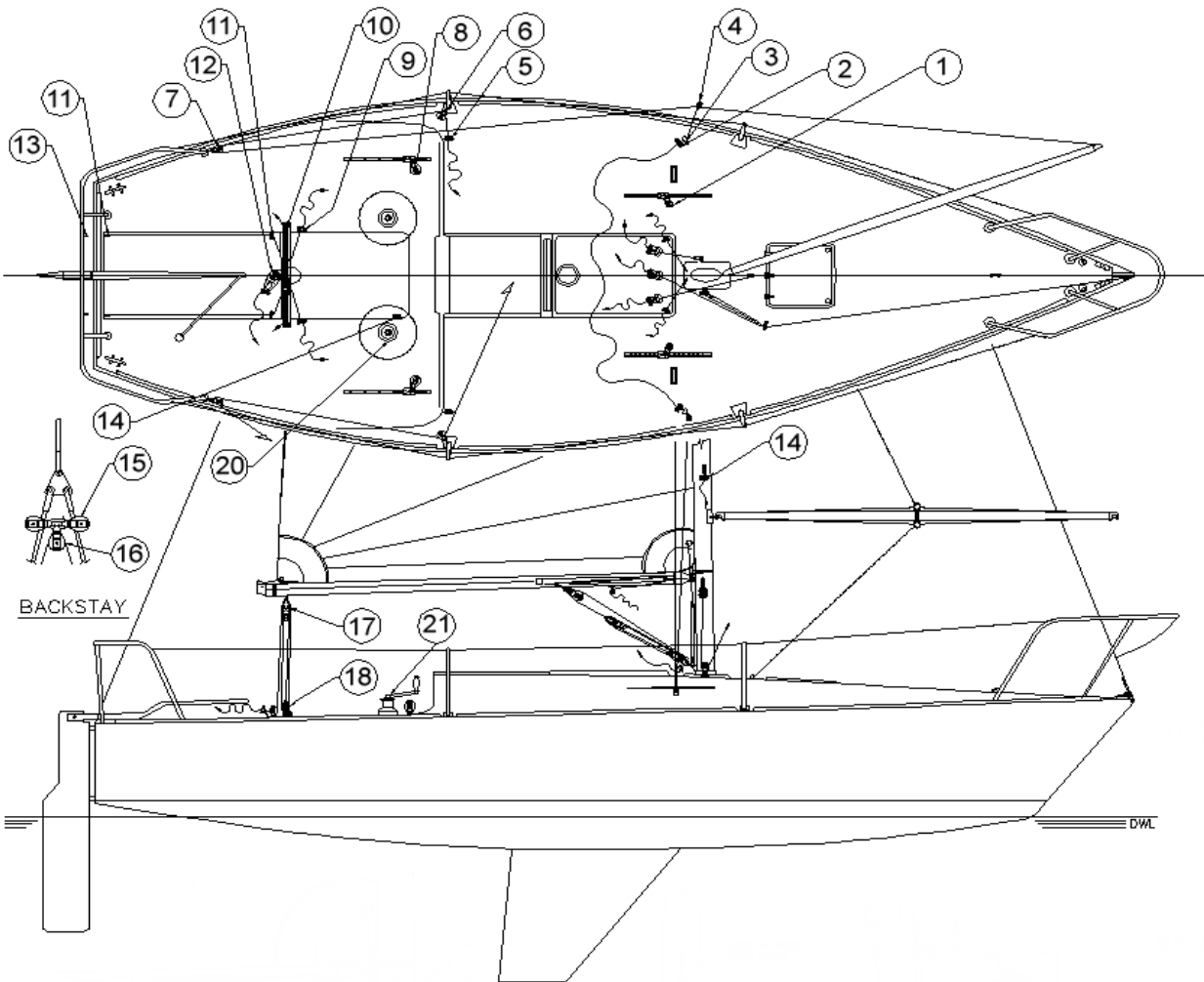


## J24 Deck Layout



- |    |                         |  |
|----|-------------------------|--|
| 1  | SCH-303-86              | Jib Lead Car   |
| 2  | HAR-459<br>HAR-145      | Cam-matic fairlead and<br>low-profile angled wedge kit                   |
| 3  | HAR-237                 | Fairlead (twing)   |
| 4  | HAR-2148                | 40mm T2 block  |
| 5  | HAR-150<br>HAR-295      | Aluminum Cam-matic cleat and<br>Flat Cam-matic riser                     |
| 6  | HAR-2135                | Single swivel 57mm Carbo ratchet block                                   |
| 7  | HAR-2600                | Single swivel 57mm Carbo block   |
| 8  | HAR-2680/071/SCH-17-59  | 75mm Carbo ratchamatic with spring and Schaefer slider                   |
| 9  | HAR-150/145/425         | Aluminum Cam-matic cleat and low-profile wedge kit and fairlead          |
| 10 | HAR-2720.1m/2745/173    | Low-profile track and high load windward sheeting car and track end stop |
| 11 | HAR-349<br>HAR-350      | Stand up 29mm block (forward) and<br>29mm & cheek block (aft)            |
| 12 | HAR-2135<br>HAR-144     | 57mm Carbo ratchet and<br>swivel base with cam                           |
| 13 | HAR-224                 | Single micro block lashed to pulpit                                      |
| 14 | HAR-150<br>HAR-438      | Aluminum Cam-matic cleat and<br>cam adapter plate                        |
| 15 | HAR-2146                | 29mm T2 block (x2)   |
| 16 | HAR-340                 | 29mm single Swivel block   |
| 17 | HAR-2602                | 57mm Carbo double block  |
| 18 | HAR-2601                | 57mm Single block with becket  |
| 19 | HAR-233/233/223/292/240 | 6:1 Genoa cunningham, center lead (listed back from bow)                 |
| 20 | HAR-35.2PTA             | Harken Winch, Radial 35.2  |
| 21 | HAR-B8AP                | 8" non-locking Harken winch handle                                       |